

HP® ENTERPRISE FLOW MFP M880/M855 TONER CARTRIDGE REMANUFACTURING INSTRUCTIONS



HP 827A TONER CARTRIDGE

REMANUFACTURING THE HP ENTERPRISE FLOW MFP M880 & M855 TONER CARTRIDGES

By Mike Josiah and the Technical Staff at UniNet



The HP M880 and M855 printers were introduced in October of 2013 and are based on a 46ppm, 1200 DPI laser engine. The processor is rated at 800MHz, and the memory for the M855 is fixed at 1GB. The M880 is fixed at 2.5GB but also has a 320GB hard drive.

The engines for both machines are very similar as are the cartridges, but they are NOT interchangeable. There are physical differences that prevent using cores across the machines plus different chips.

Pictured above are the main physical differences between these two toner cartridges. It is interesting to note that both machine groups share the same drum units.

Both series of these printers are very large and very expensive. The cartridges are also large and expensive. This is good news for us, as the margins are high and they are high-use machines. They have separate toner and drum units and the toner cartridges are very easy to remanufacture.

All cartridges use chips that need to be replaced each cycle.

TWO GROUPS OF MACHINES

Color LaserJet Enterprise M855dn, M855xh (826A toner series)

Color LaserJet Enterprise M880z, M880z+, M880z+NFC/Wireless Direct (828A toner series)

TONER CARTRIDGES USED IN THE M855 MACHINES

Black	CF310A (826A)	29,000 Pgs.	USD\$405.00 List*
Cyan	CF311A (826A)	31,500 Pgs.	USD\$665.00 List*
Magenta	CF312A (826A)	31,500 Pgs.	USD\$665.00 List*
Yellow	CF313A (826A)	31,500 Pgs.	USD\$665.00 List*

DRUM UNITS USED IN THE M855

Black	CF358A (828A)	30,000 Pgs.	USD\$120.00 List*
Cyan	CF359A (828A)	30,000 Pgs.	USD\$332.00 List*
Magenta	CF364A (828A)	30,000 Pgs.	USD\$332.00 List*
Yellow	CF365A (828A)	30,000 Pgs.	USD\$332.00 List*

TONER CARTRIDGES USED IN THE M880 MACHINES

Black	CF300A (827A)	29,500 Pgs.	USD\$138.00 List*
Cyan	CF301A (827A)	32,000 Pgs.	USD\$615.00 List*
Magenta	CF302A (827A)	32,000 Pgs.	USD\$615.00 List*
Yellow	CF303A (826A)	32,000 Pgs.	USD\$615.00 List*

TONER CARTRIDGES USED IN THE M880

Black	CF358A (828A)	30,000 Pgs.	USD\$120.00 List*
Cyan	CF359A (828A)	30,000 Pgs.	USD\$332.00 List*
Magenta	CF364A (828A)	30,000 Pgs.	USD\$332.00 List*
Yellow	CF365A (828A)	30,000 Pgs.	USD\$332.00 List*

TONER CARTRIDGE REMANUFACTURING**Required Tools:**

1. Toner approved vacuum
2. A small common screwdriver
3. A Phillips head screwdriver
4. Modified soldering iron, or drill with ½” drill bit (see text and picture)
5. Hot glue gun or drill and self-tapping screws (see text)

Required Supplies:

1. Replacement toner for use in the M855 and M880 cartridges
2. Replacement chip for toner cartridge (make sure you have the correct cartridge series and color!)
3. Toner magnet cloths





1. The toner cartridge does not have a fill plug or an opening large enough to clean or refill it through. Because of this, the cartridge needs to have a hole cut. This is best done with a soldering iron with a screw in tip and a 1/2" copper plumbing end cap drilled, filed and screwed on the iron. You can also drill the hole, but you must be very careful not to get plastic shavings inside the cartridge.

The soldering iron (pictured) was bought at Radio Shack. The tip is not a common thread size, but a #8 screw can be forced in. If the screw is too long, use lock washer to take up the space.



2. The best place to do this is under the end cap. This way there is no chance the sealing label will be pulled off.

Carefully peel off the label on the end cap. The label is easily torn to take some care in removing it.



3. Remove the screw.



4. Press in on the middle curved section and slide the cover up and off of the cartridge.



5. Cut the hole in the top left section as shown.

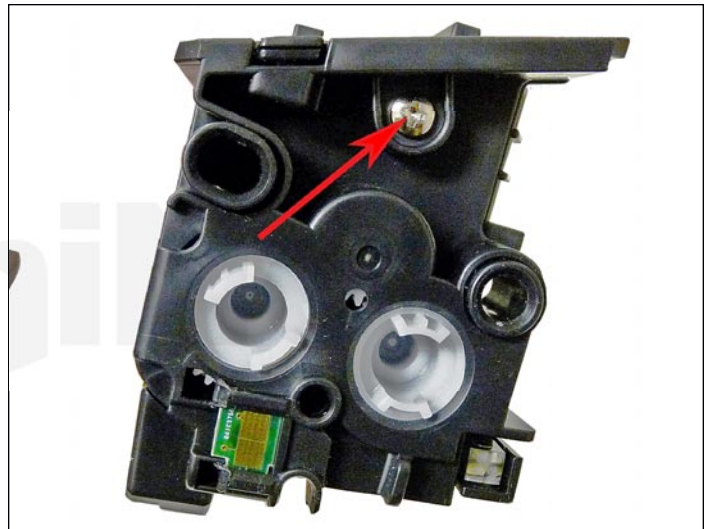
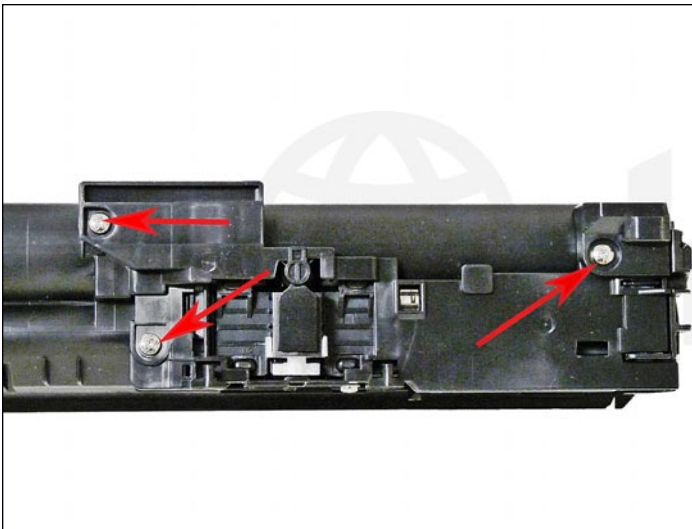


6. Clean all the remaining toner, and fill with new replacement toner for use in the M855 and M880 printers.

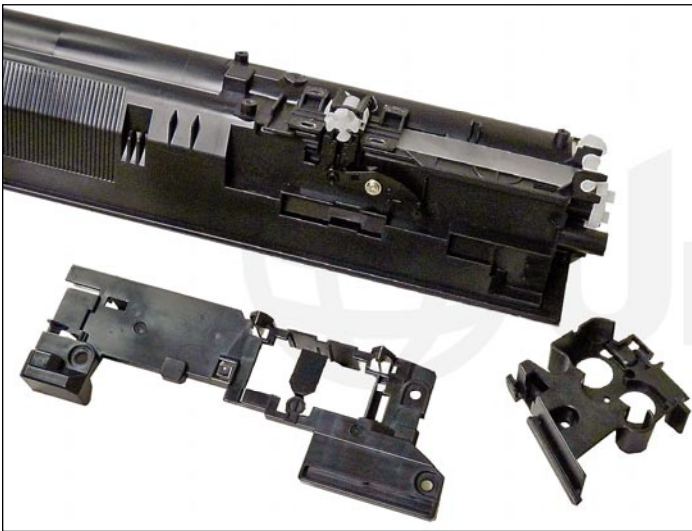


7. Cover the hole with a good quality label seal.

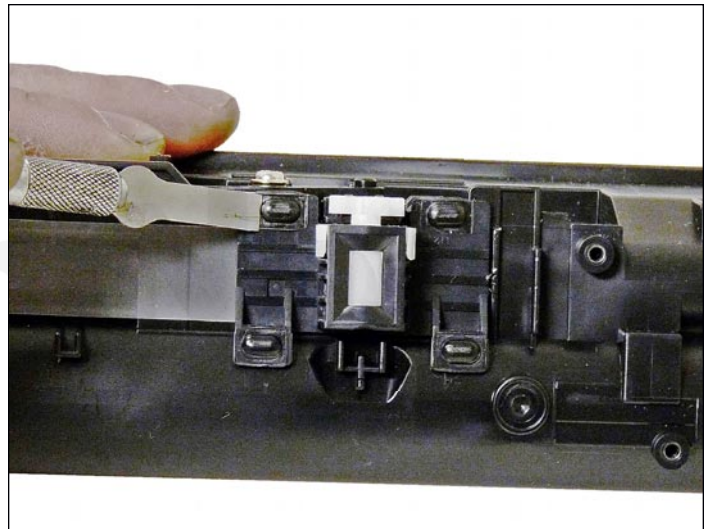
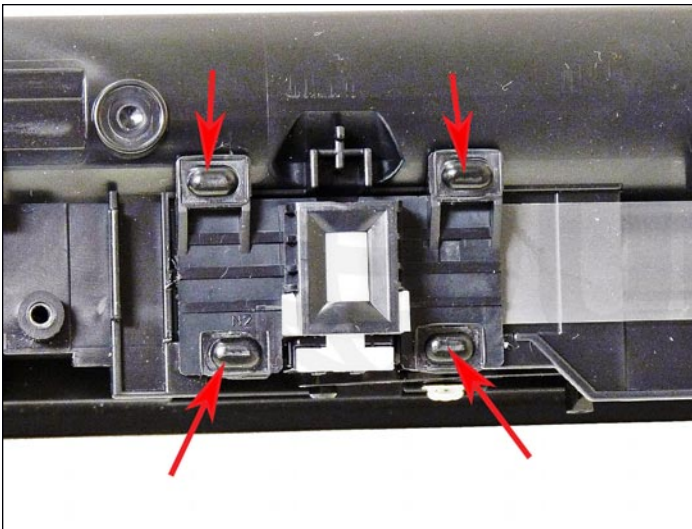
Check for leaks.



8. Once a seal is available, it will be installed by removing the three screws on the top of the seal assembly, and a single screw on the side cover.



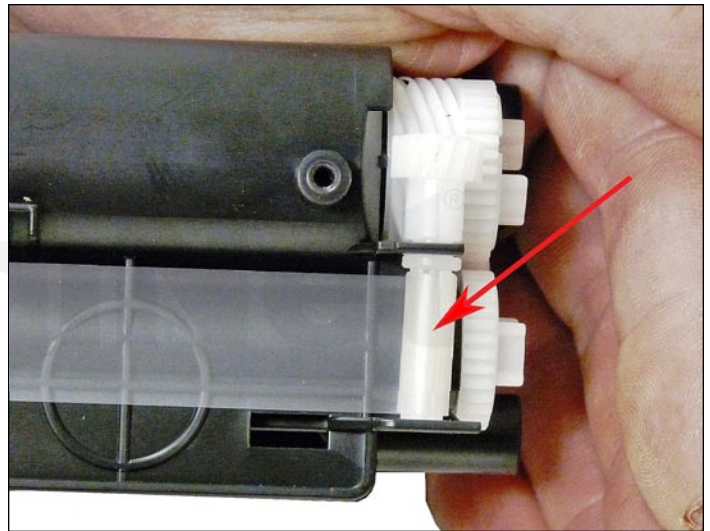
9. Remove the top cover and side cover.



10. Slice the melted plastic off, and if using screws to re-attach the cover, drill four small holes in the areas indicated on the seal cover. The preferred and easier method is to use a hot glue gun to secure the cover when re-attaching it.

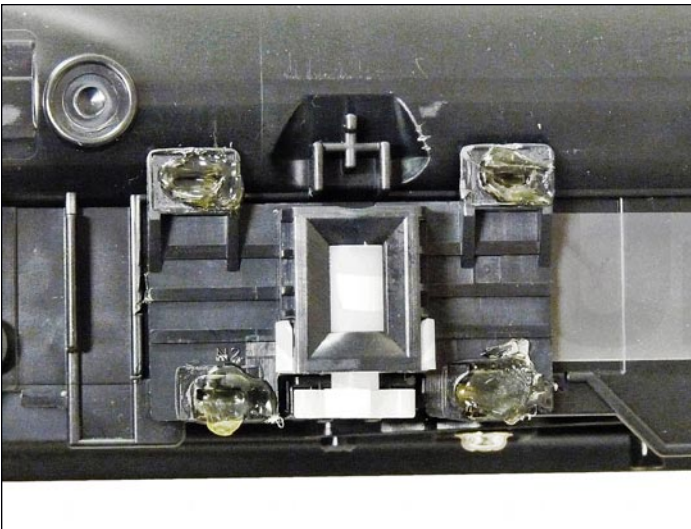


11. Remove the seal cover by carefully prying it off.



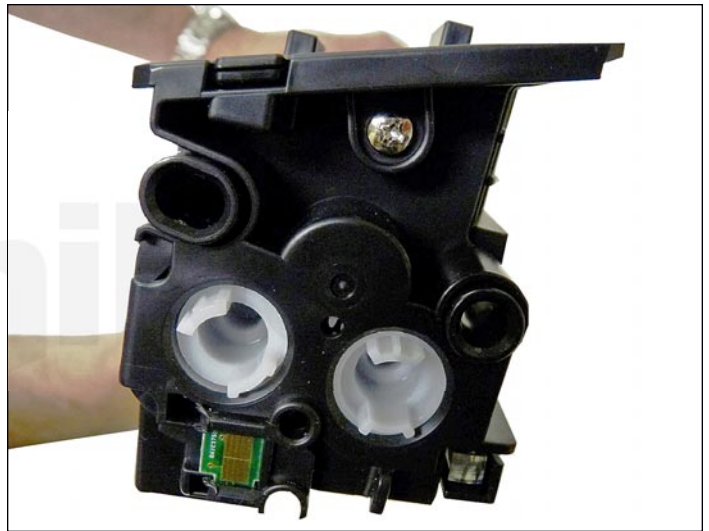
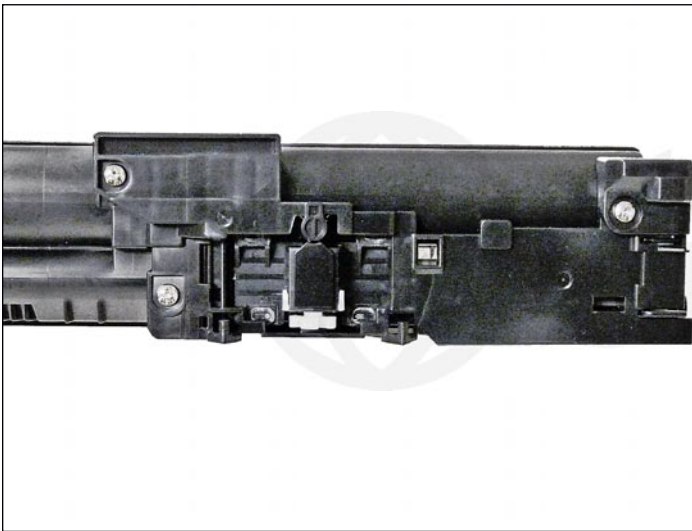
12. Install the new seal.

Wrap the tail around the take-up gear.



13. Place the seal cover back on, and using a hot glue gun, glue the cover in place. If you drilled holes, install the four small self-tapping screws.

UniNet®

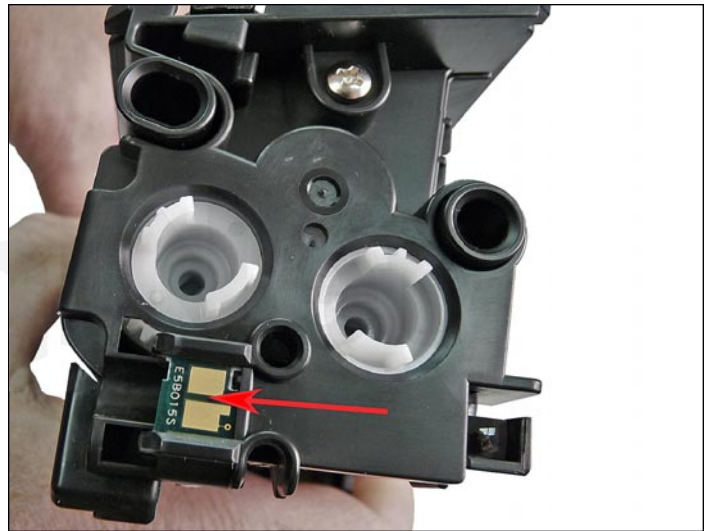


14. Install the top cover, side cover and four screws.

The three short screws are for the top cover, and the single long screw is for the side cover.



15. Slide the fill-side end cap in place. Install the screw and replace the label (be careful here as the label is easily torn).



16. Slice off the melted plastic tabs and replace the chip.

That's it! There are no shipping locks used or needed.

REPETITIVE DEFECT CHART

NOTE: The toner cartridges are just large hoppers. There is nothing inside that can cause a repetitive defect. The items listed below are for the OPC, transfer or fuser modules in the printer.

36mm	Developer roller (in OPC cartridge)
40mm	PCR (in OPC cartridge)
50mm	Transfer roller #1
71mm	Transfer roller #2
82mm	Tension roller (in the transfer unit)
94mm	OPC drum (color of defect will determine the faulty drum)
144mm	Lower fuser roller
148mm	Upper fuser roller